

Gutter

Gutter

Gutter

← Down Pipe

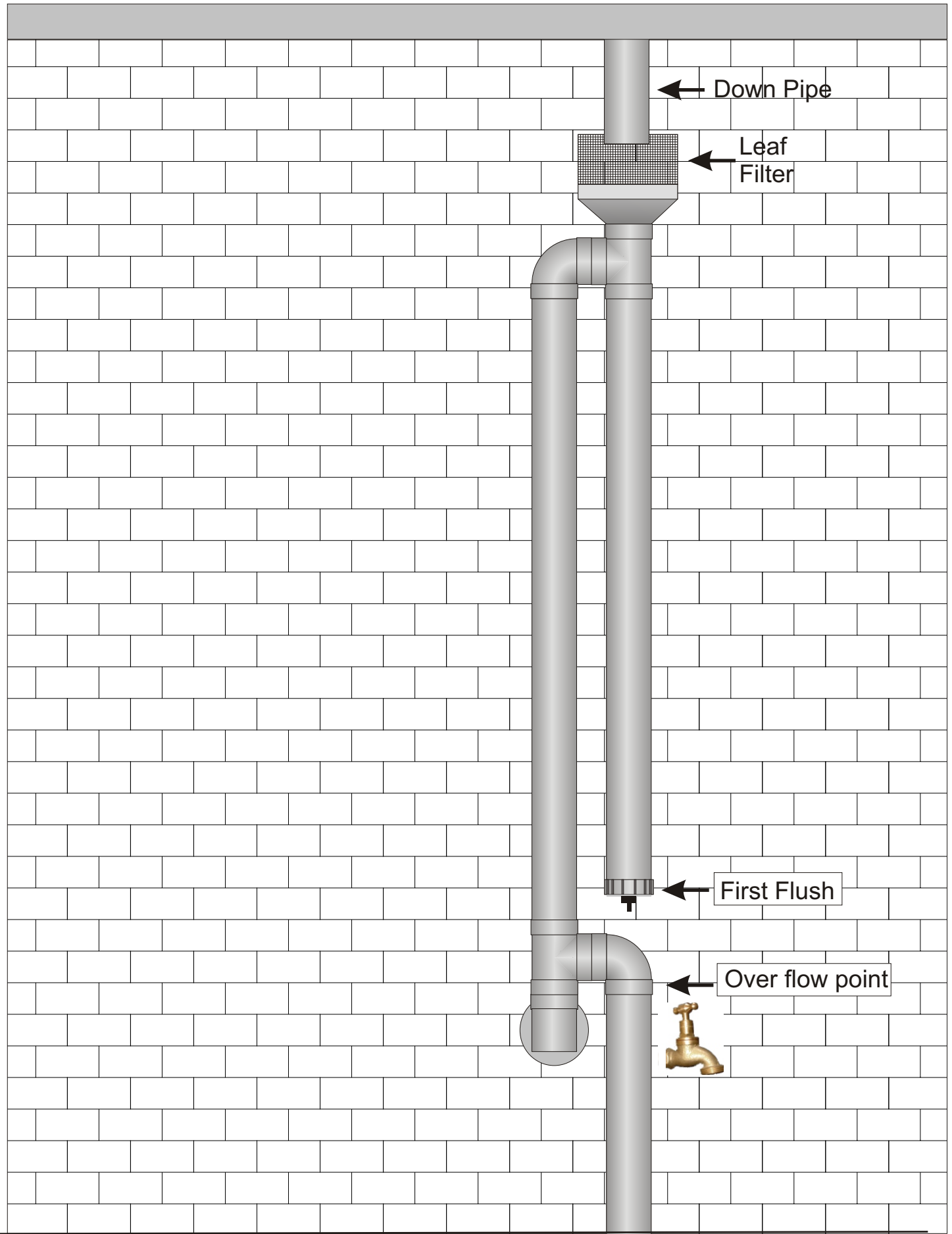
← Leaf Filter

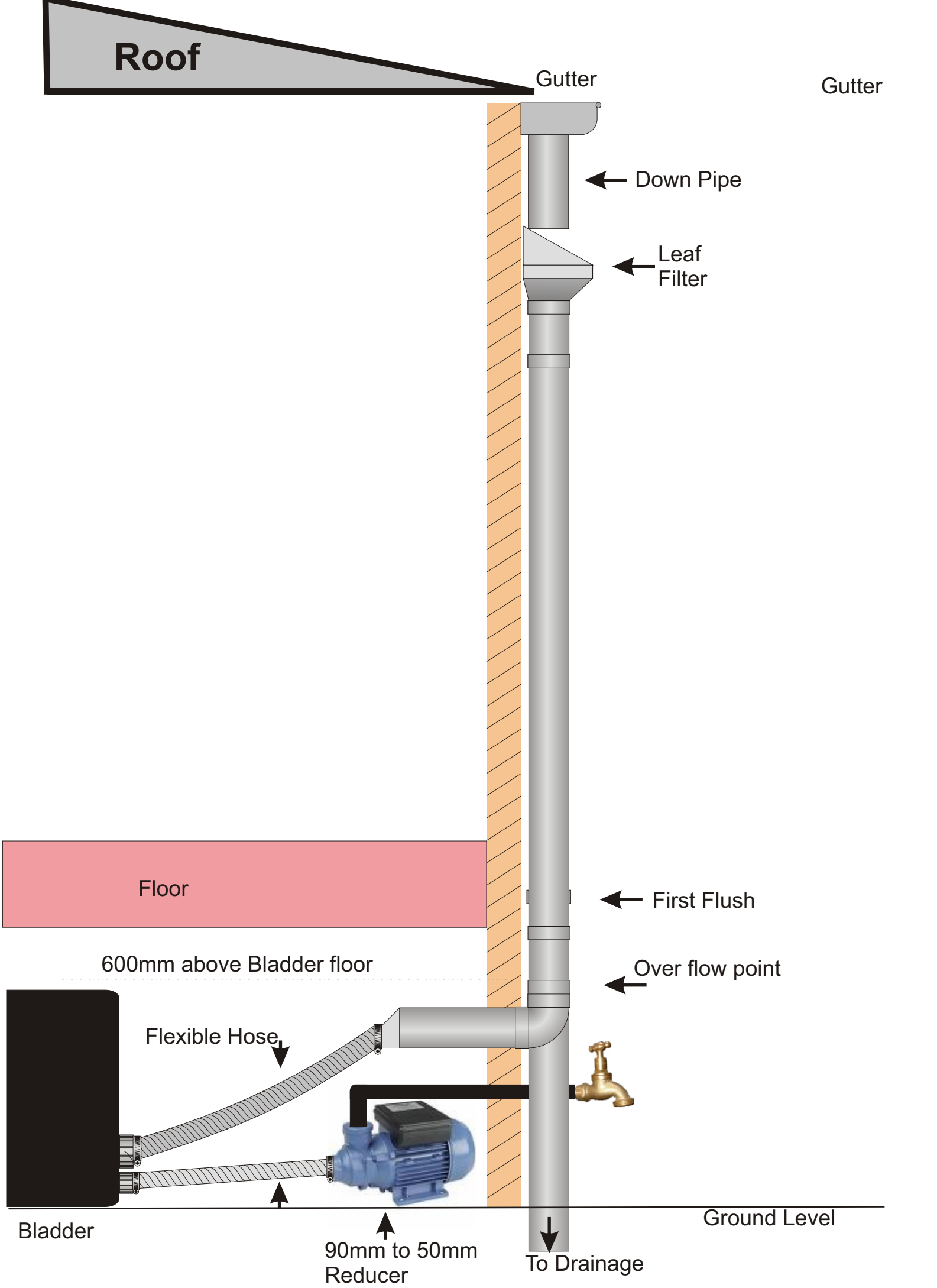
← First Flush

← Over flow point

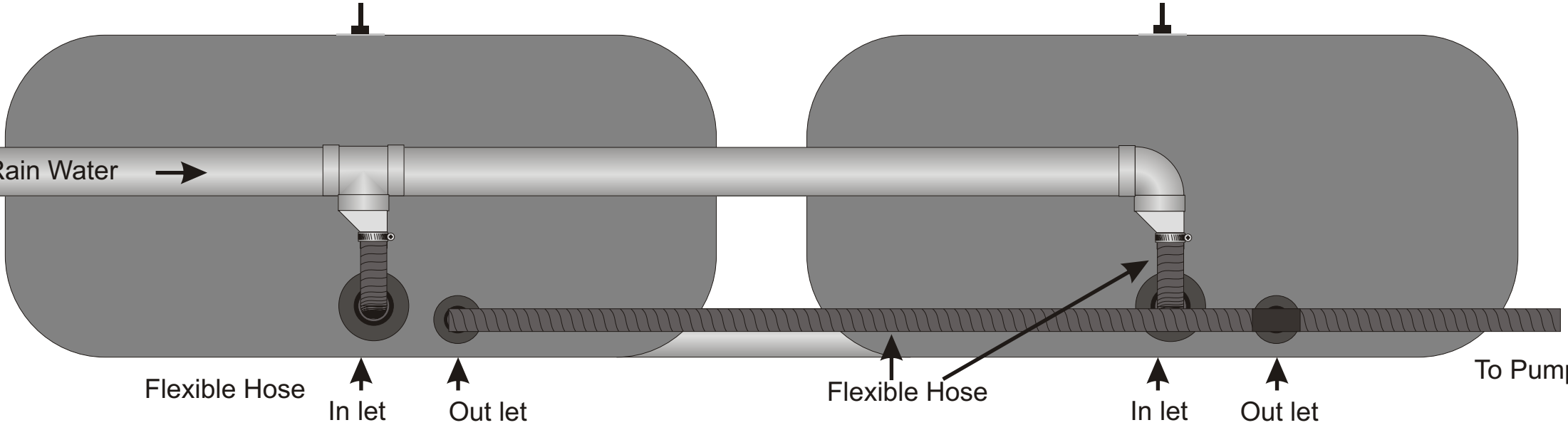
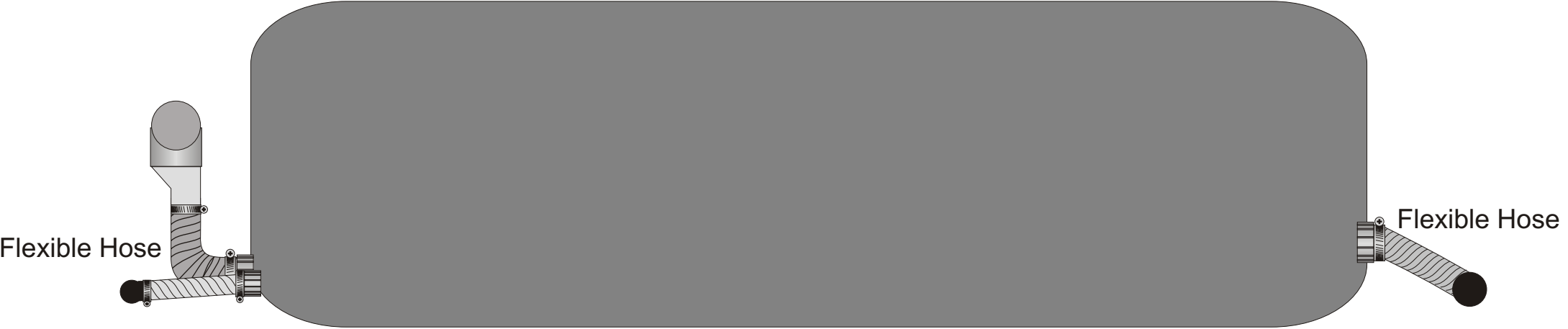
Ground Level

↓ To Drainage





Side View



Front View